

320788 ✓ ACTIVE

TE Internal #: 320788

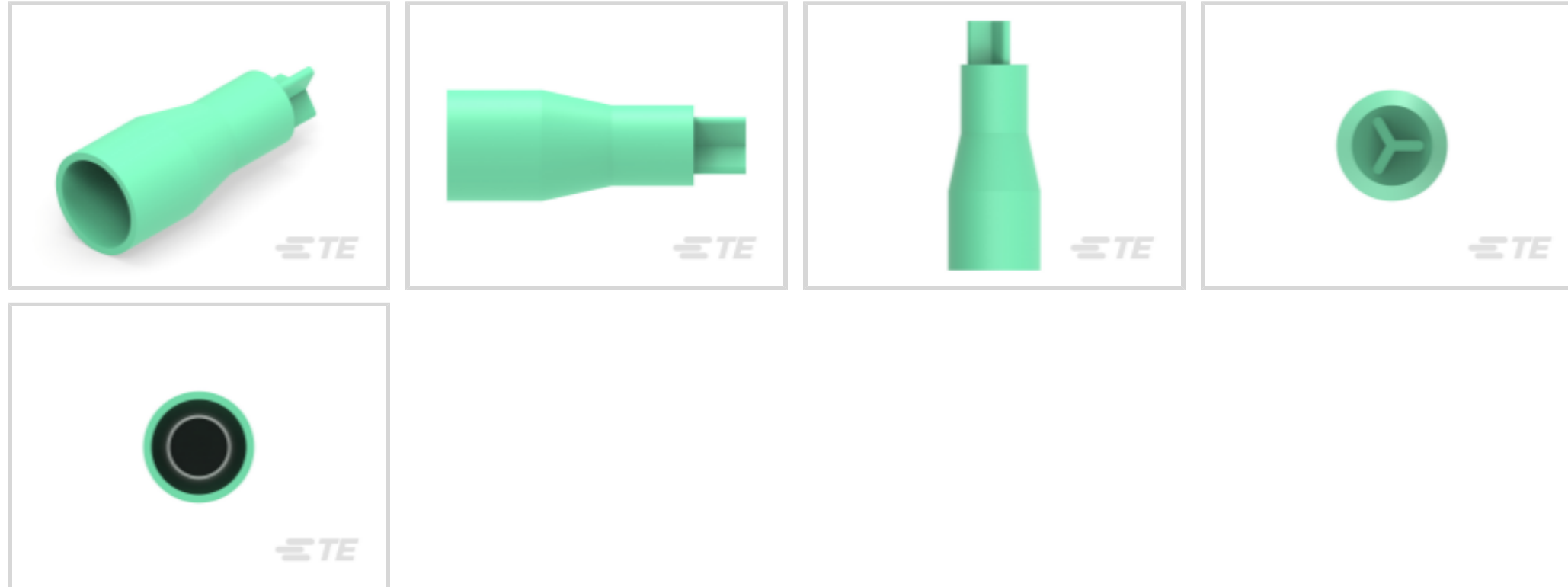
Splices, 18 – 8 AWG Wire Size, .8 – 8 mm² Wire Size, 10.32 – 20.82

kcmil Wire Size, 10320 – 20820 CMA Wire Size, Copper, Green

[View on TE.com >](#)



Terminals & Splices > Splices



Wire Size: 10.32 – 20.82 kcmil

Sealable: No

Accepts Wire Insulation Diameter Range: 12.7 mm [.5 in]

Features

Product Type Features

Splice Accessory Type	Splice
Sealable	No
Splice Type	Closed End Splice
Serrated	No
Compatible With Discrete Wire Type	Solid, Stranded
Wire Insulation Support Retention Type	Insulation Support

Configuration Features

Compatible With Wire & Cable Type	Discrete Wire
-----------------------------------	---------------

Body Features

Weight per Piece	4.079 g
Plating Material	Unplated
Primary Product Material	Copper
Primary Product Color	Green

Contact Features

Contact Plating Material	Tin
Barrel Type	Closed



Mechanical Attachment

Wire Insulation Support	With
-------------------------	------

Dimensions

Wire Size	10320 – 20820 CMA
Accepts Wire Insulation Diameter Range	12.7 mm[.5 in]
Terminal Material Thickness	1.09 mm[.043 in]
Overall Product Length	40.01 mm[1.575 in]

Usage Conditions

Insulation Option	Fully Insulated
Operating Temperature Range	105 °C[221 °F]

Operation/Application

Heavy Duty	No
Compatible With Wire Base Material	Copper

Identification Marking

Marking	ECV
---------	-----

Industry Standards

Government Qualified Splice	No
-----------------------------	----

Packaging Features

Packaging Quantity	250
Packaging Method	Loose Piece

Other

Comment	ECV-600V Max. Building Wiring, 1000V Max. Fixtures & Signs, 105°C UL, 90°C CSA.
Military Category	No

Product Compliance

[For compliance documentation, visit the product page on TE.com>](#)

EU RoHS Directive 2011/65/EU	Compliant
EU ELV Directive 2000/53/EC	Compliant
China RoHS 2 Directive MIIT Order No 32, 2016	No Restricted Materials Above Threshold
EU REACH Regulation (EC) No. 1907/2006	Current ECHA Candidate List: JUNE 2022 (224)

Candidate List Declared Against: JUL 2021
(219)

Does not contain REACH SVHC

Halogen Content

Not Low Halogen - contains Br or Cl > 900 ppm.

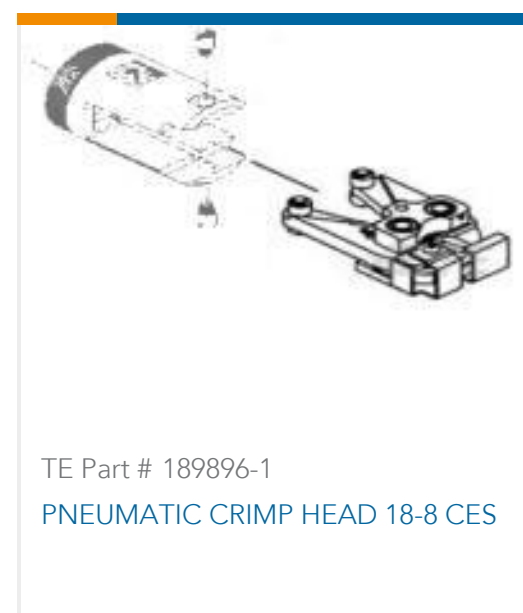
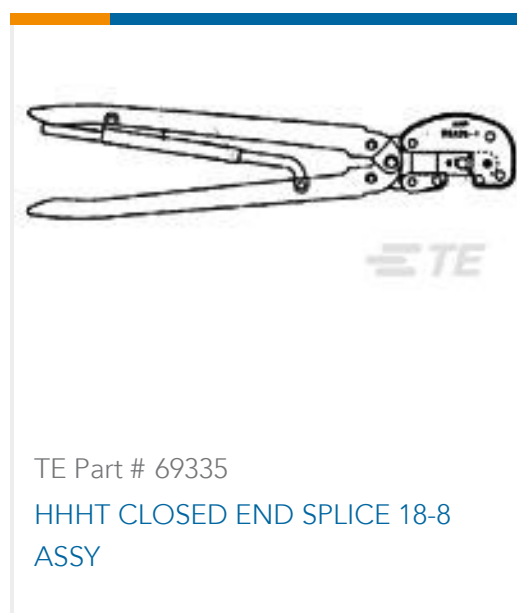
Solder Process Capability

Not applicable for solder process capability

Product Compliance Disclaimer

This information is provided based on reasonable inquiry of our suppliers and represents our current actual knowledge based on the information they provided. This information is subject to change. The part numbers that TE has identified as EU RoHS compliant have a maximum concentration of 0.1% by weight in homogenous materials for lead, hexavalent chromium, mercury, PBB, PBDE, DBP, BBP, DEHP, DIBP, and 0.01% for cadmium, or qualify for an exemption to these limits as defined in the Annexes of Directive 2011/65/EU (RoHS2). Finished electrical and electronic equipment products will be CE marked as required by Directive 2011/65/EU. Components may not be CE marked. Additionally, the part numbers that TE has identified as EU ELV compliant have a maximum concentration of 0.1% by weight in homogenous materials for lead, hexavalent chromium, and mercury, and 0.01% for cadmium, or qualify for an exemption to these limits as defined in the Annexes of Directive 2000/53/EC (ELV). Regarding the REACH Regulation, the information TE provides on SVHC in articles for this part number is based on the latest European Chemicals Agency (ECHA) 'Guidance on requirements for substances in articles' posted at this URL: <https://echa.europa.eu/guidance-documents/guidance-on-reach>

Compatible Parts



Documents

Product Drawings

[SPLICE,CE 18-8](#)

English

CAD Files

Customer View Model

[ENG_CVM_320788_U.3d_igs.zip](#)

English

Customer View Model

[ENG_CVM_320788_U.3d_stp.zip](#)

English

Customer View Model

[ENG_CVM_320788_U.2d_dxf.zip](#)

English

[3D PDF](#)



English

By downloading the CAD file I accept and agree to the [Terms and Conditions](#) of use.

Product Specifications

[Application Specification](#)

English

Instruction Sheets

[Instruction Sheet \(U.S.\)](#)

English

[Instruction Sheet \(U.S.\)](#)

English

Agency Approvals

[Agency Approval Document](#)

English